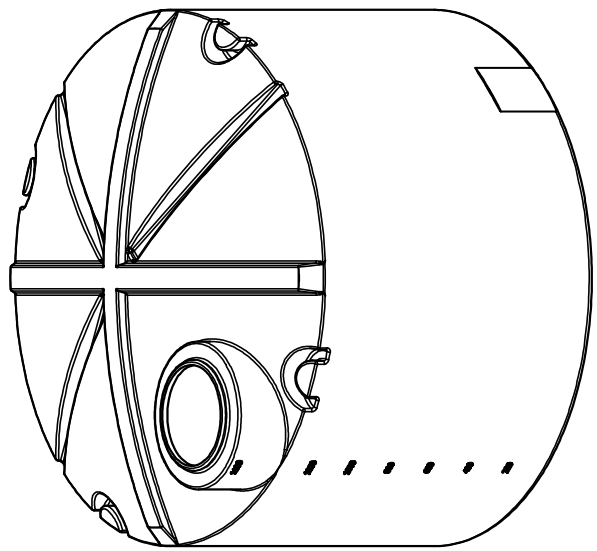


SECTION A-A
SCALE 1:10

SECTION B-B
SCALE 1:12



REVISION HISTORY		DESCRIPTION	DATE	AUTHOR
REV	A	REDRAWN	7/9/2013	Michael Holden
DRAWN	Jerry Paulson	CHECKED	11/6/2000	
QA		MFG		
APPROVED				
SIZE	B	DWG NO		REV A
SCALE: 1/16		TITLE		
1550 GALLON VERTICAL TANK W/ GUSSET DOME				

ONTARIO PLASTIC FABRICATORS
Real Service. Real Solutions.